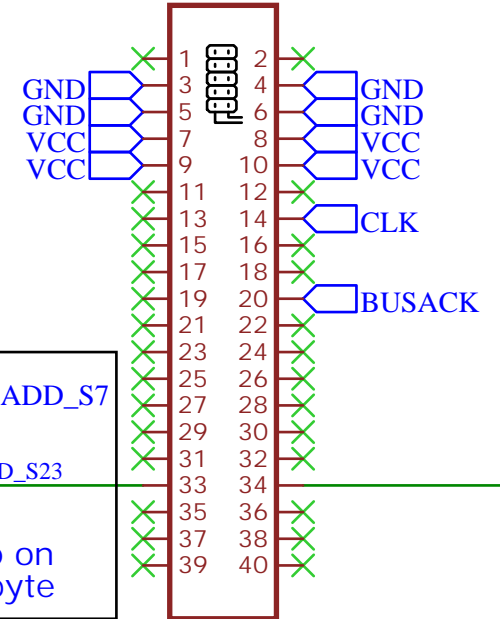
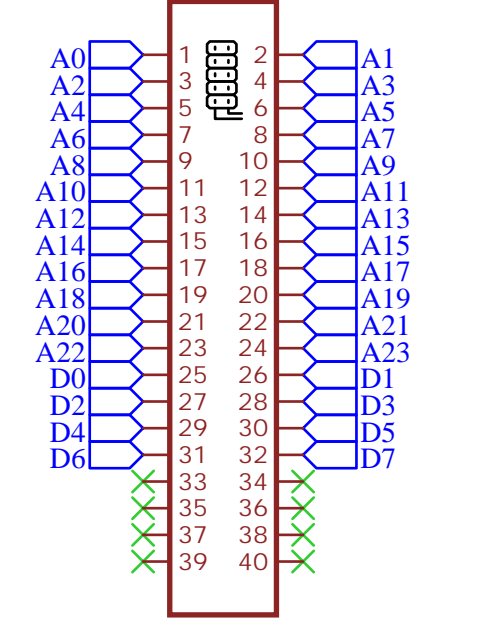


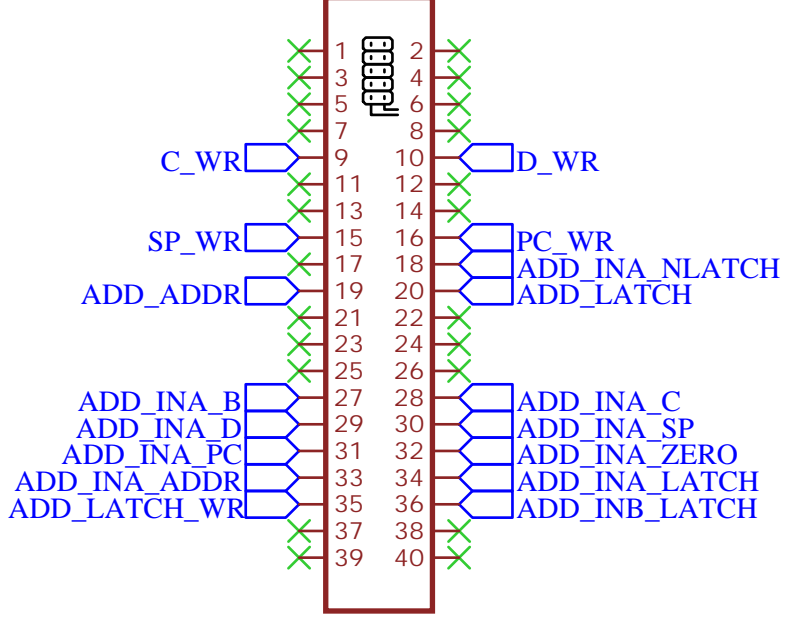
H1



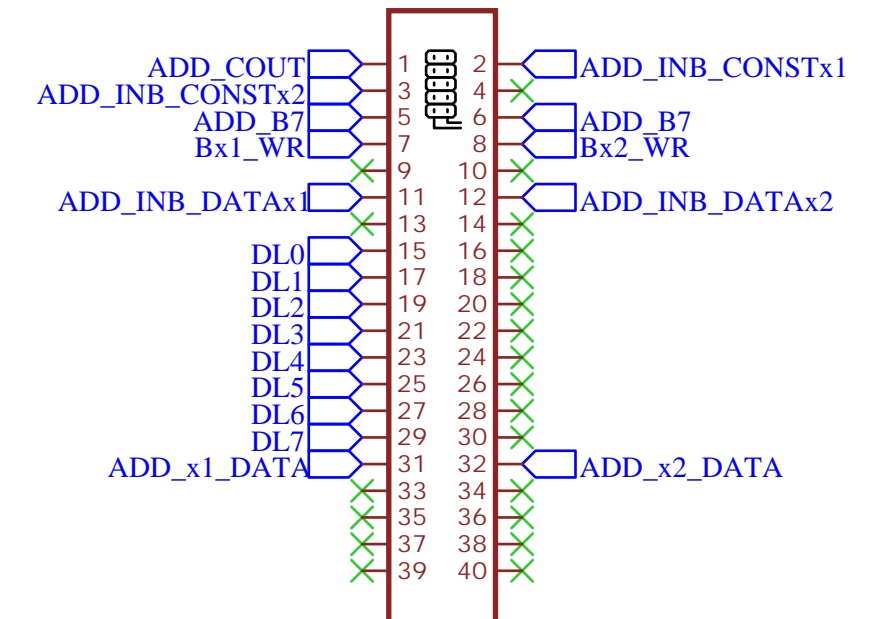
H2



H3

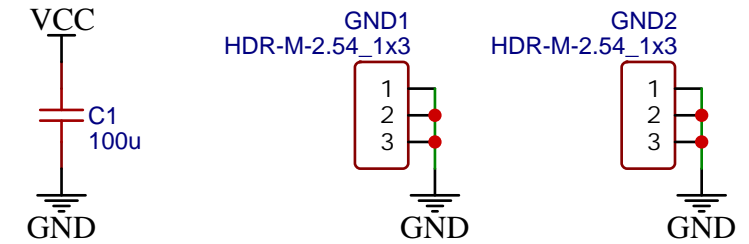
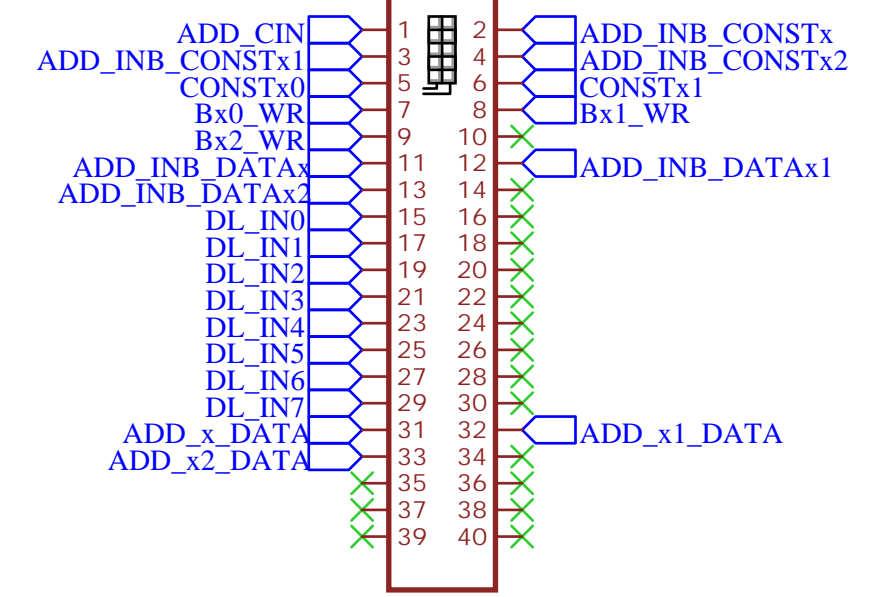




HOUT

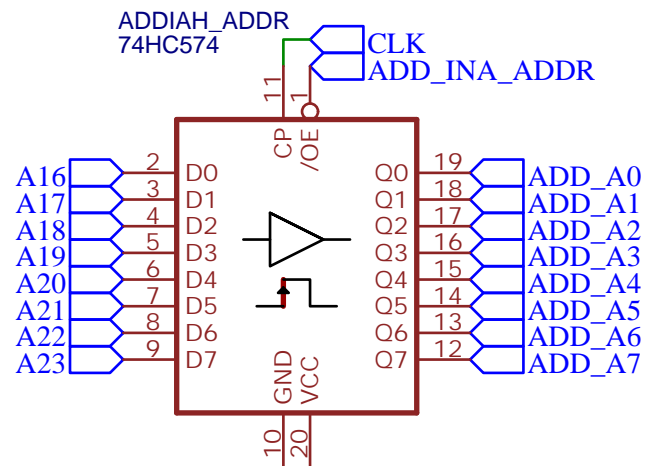
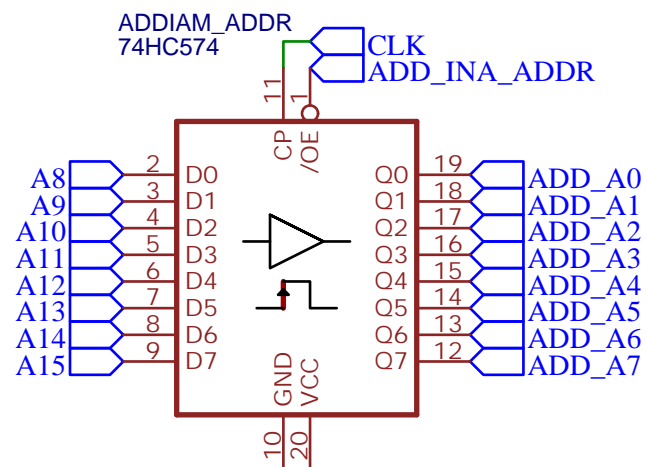
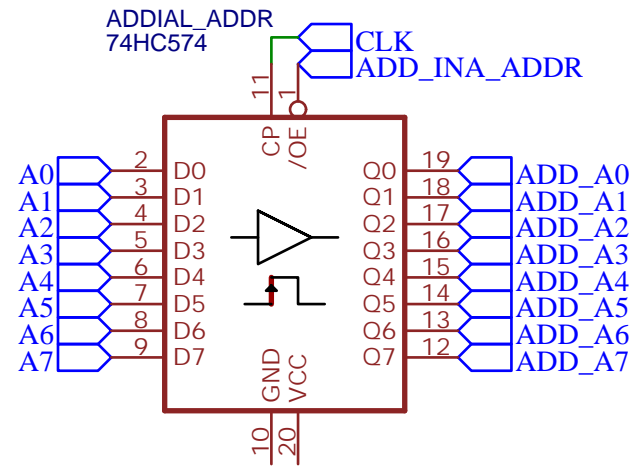
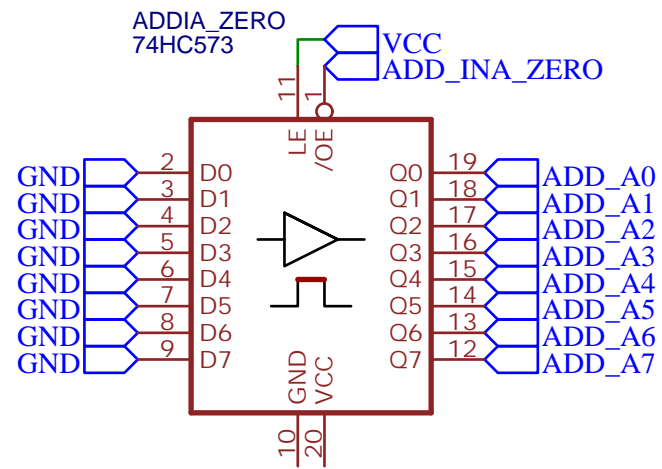


HIN



Female header angled reversed 2.54 2x20

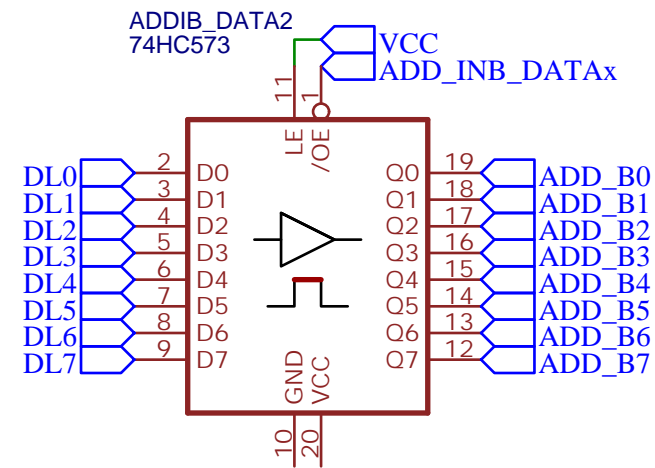
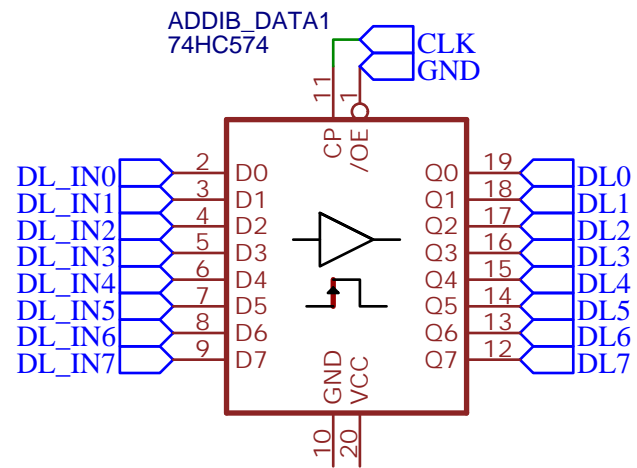
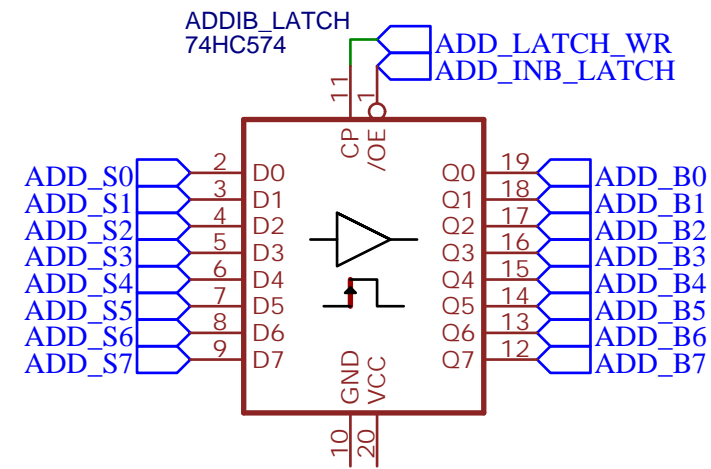
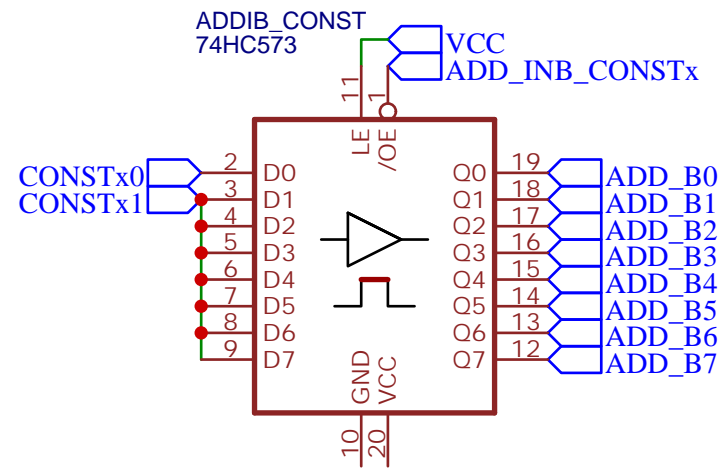




TITLE: Adder		REV: 1.0
 	Company: JMC Lab Experience	Sheet: 1/7
	Date: 2022-01-09	Drawn By: JMC

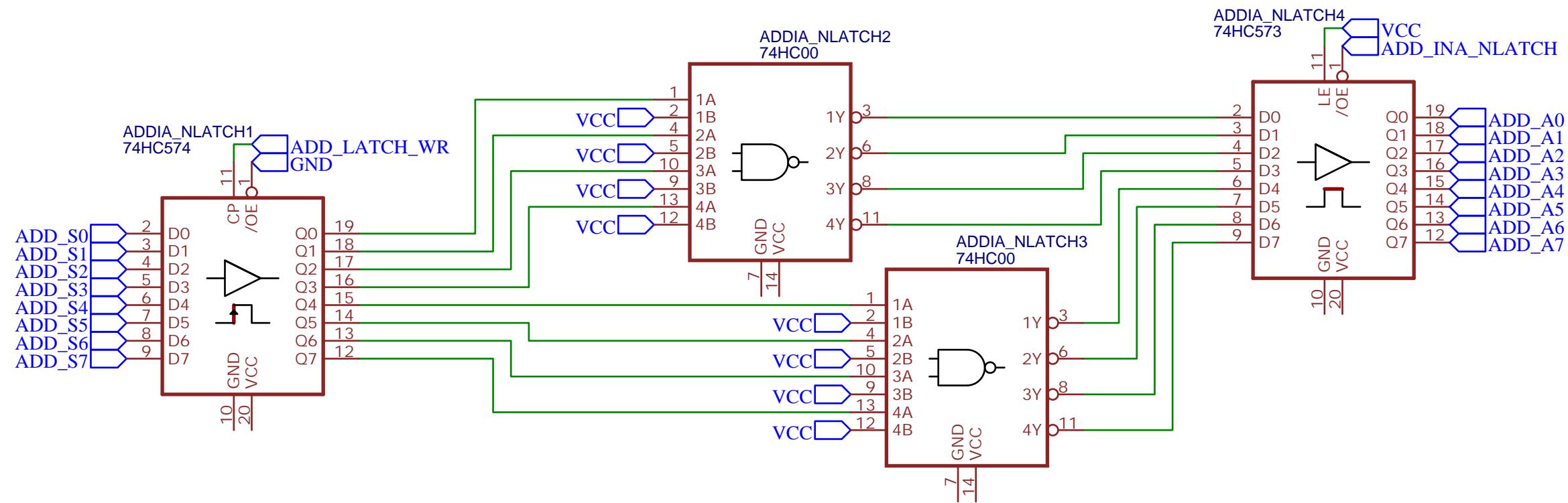




Populate only the matching chip

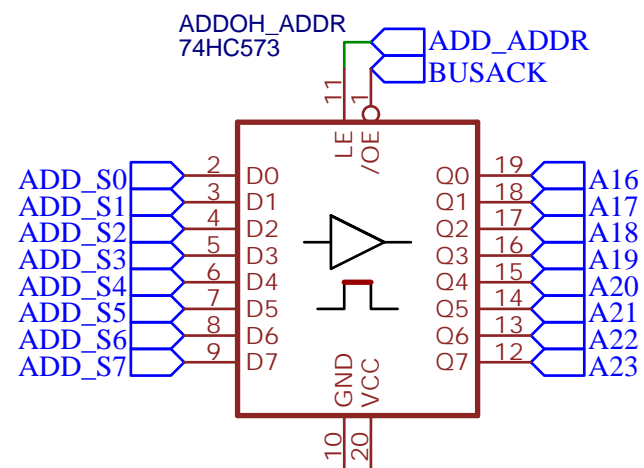
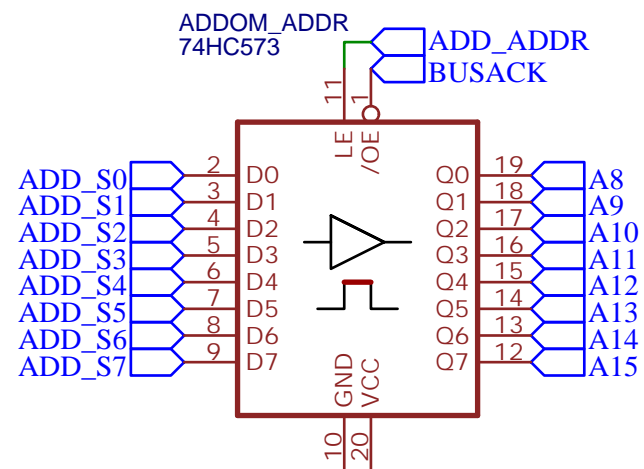
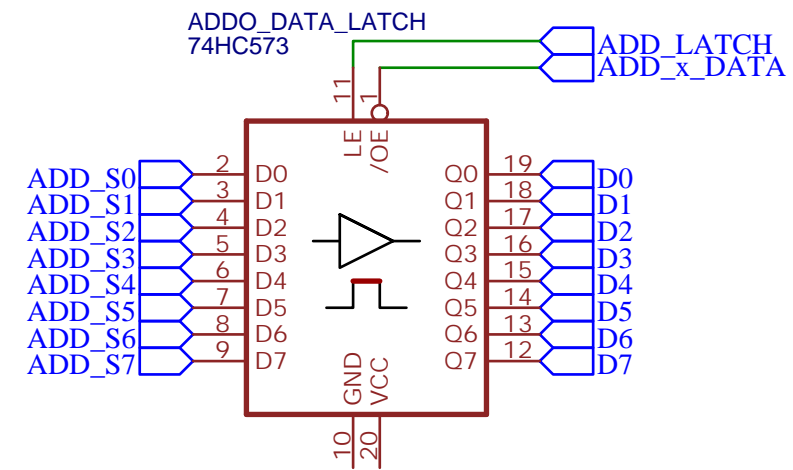
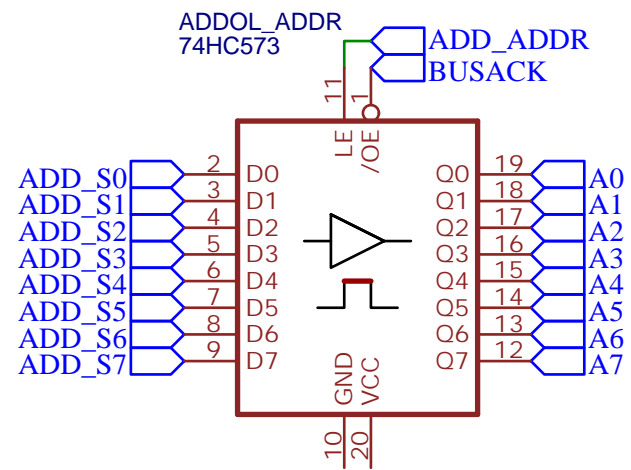
TITLE: Adder		REV: 1.0
 	Company: JMC Lab Experience	Sheet: 2/7
	Date: 2022-01-09 Drawn By: JMC	





TITLE: Adder		REV: 1.0
 	Company: JMC Lab Experience	Sheet: 3/7
	Date: 2022-01-09 Drawn By: JMC	

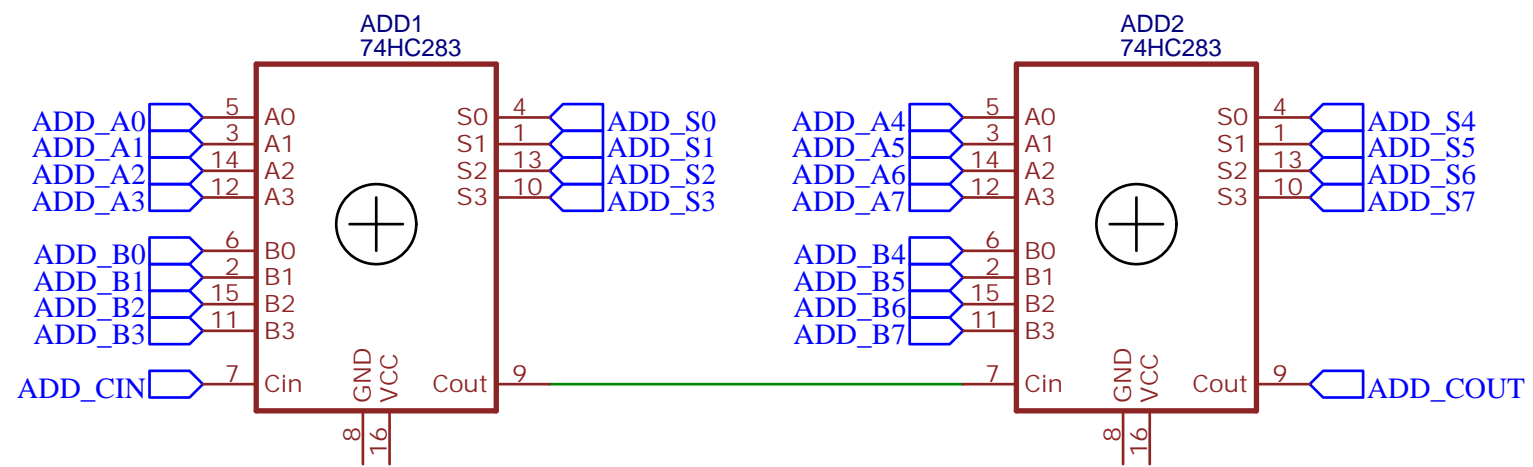




TITLE: Adder		REV: 1.0
 	Company: JMC Lab Experience	Sheet: 4/7
	Date: 2022-01-09	Drawn By: JMC

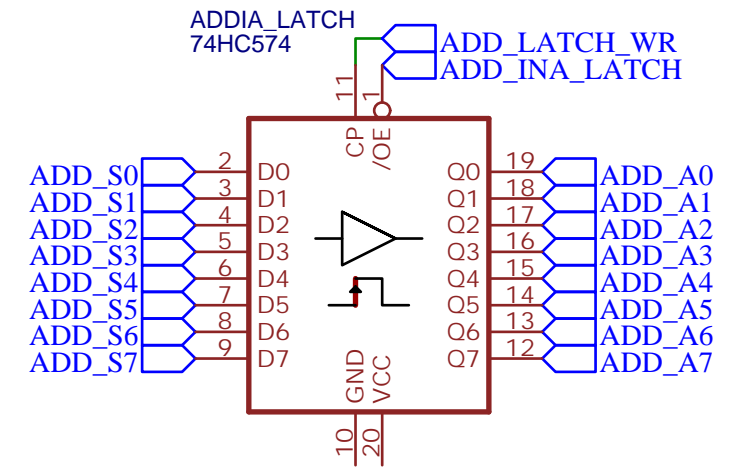
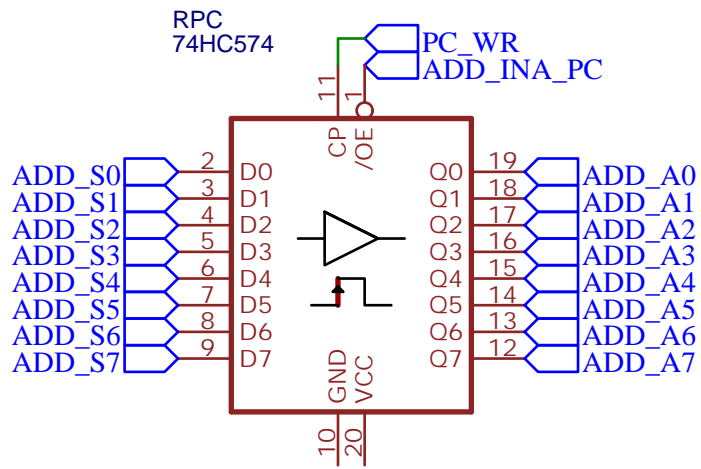
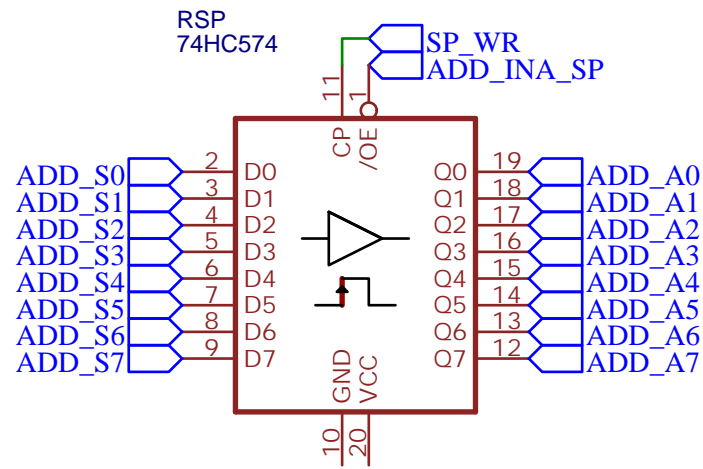
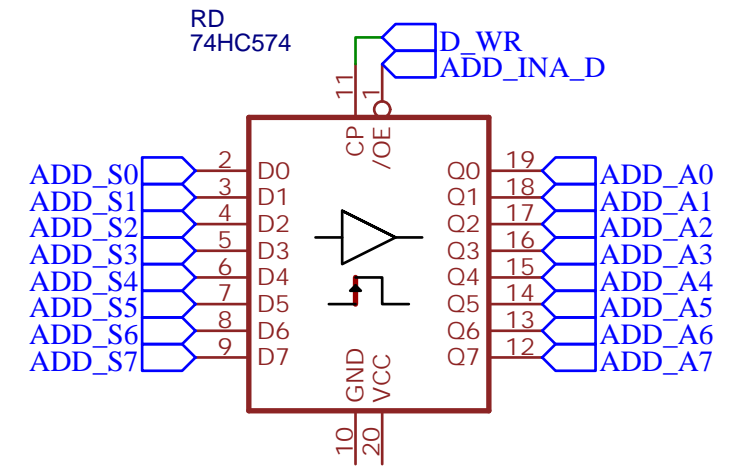
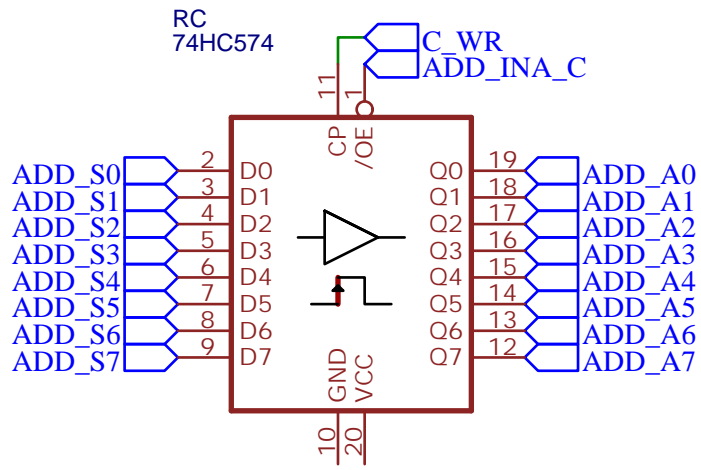
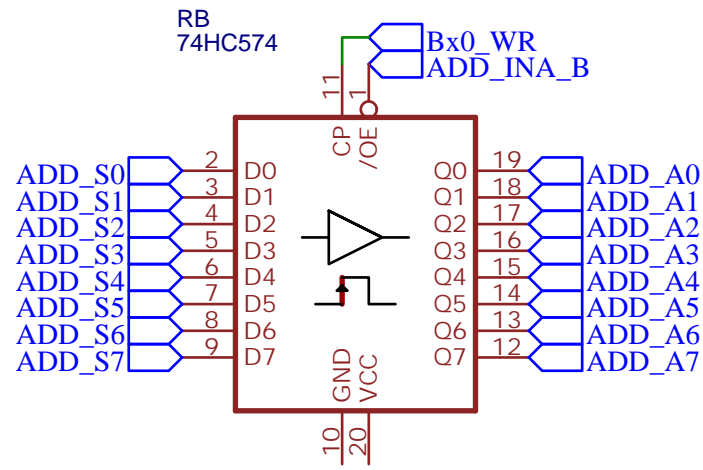




Populate only the matching chip

TITLE: Adder		REV: 1.0
 	Company: JMC Lab Experience	Sheet: 5/7
	Date: 2022-01-09 Drawn By: JMC	



TITLE: Adder		REV: 1.0
 	Company: JMC Lab Experience	Sheet: 6/7
	Date: 2022-01-09	Drawn By: JMC



TITLE: Adder		REV: 1.0
 	Company: JMC Lab Experience	Sheet: 7/7
	Date: 2022-01-09 Drawn By: JMC	